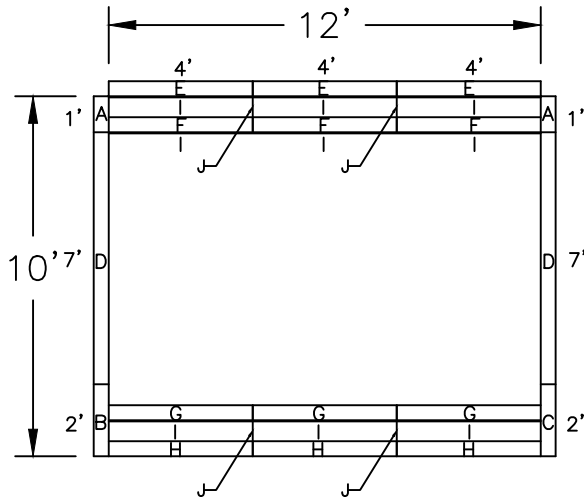




Name: 12' POURED STEP/ SUNDECK W/ LINER TRACK – SCREED EDGE

Number: -----

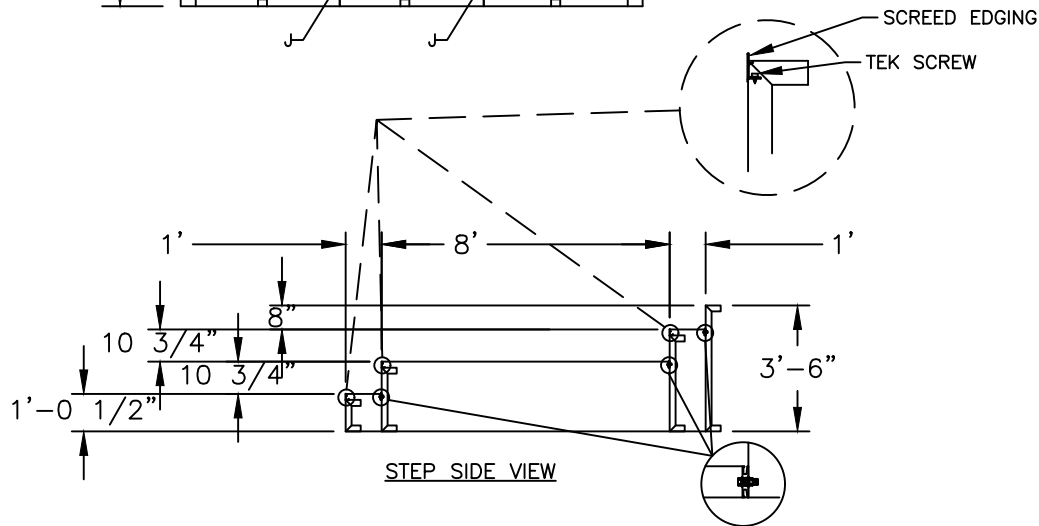
250 Route 61 South, Schuylkill Haven, PA 17972 • 570-385-4733 • fax: 570-385-1318 • CustomerService@CardinalSystemsinc.com



POSITION QTY. DESCRIPTION

POSITION	QTY.	DESCRIPTION
A	2	SP1651
B	1	SP2678
C	1	SP2679
D	2	5S42700XXXO
E	3	SP0108
F	3	PT1791
G	3	PT1873
H	3	PT1875
I	9	LT0005
J	4	TS0007
	2	CS902SA
	2	CS903FC
	1	BP106ST
	1	BP000TS
	2	SP0745-6N-3
	8	HPSFOB
	2	CS6000PTB
	2	CS606ES
	10	HPSSTAKE

1'-0" STEP SIDE PANEL
 2'-0" STEP PANEL
 2'-0" STEP PANEL
 7'-0" STEP PANEL
 4'-0" STEP PANEL
 4'-0" POURED TREAD TOP
 4'-0" POURED TREAD CENTER
 4'-0" POURED TREAD BOTTOM
 4'-0" LINER TRACK
 1'-0" POURED TREAD SUPPORT
 SQUARE CORNER ANGLE
 FOAM CORNER
 LARGE STEP BOLT PACK
 BOX OF TEK SCREWS
 BOX OF 3 - 6' SCREED EDGE
 A-FRAME ASSEMBLY
 A-FRAME ASSEMBLY
 SHORT ANGLE
 18" DRIVE STAKE



NOTE:
 USE REBAR HOLE LOCATIONS TO PIN WALL AND STEP DECK SUPPORTS IN PLACE. THEN POUR 4"-6" OF CONCRETE AROUND THESE AREAS AND UNDER THE ASSEMBLY FOR REINFORCEMENT

FIBERGLASS ROD TOTALS:

6' LENGTHS =
 8' LENGTHS =

Drawn By: GR

Date: 8/20/2020

Scale: 3/16" = 1'-0"

Notes:

This information is the confidential property of Cardinal Systems, Inc. Disclosure or duplication without proper written approval is strictly prohibited. Acceptance and use of this drawing constitutes knowledge and acceptance by the user of the terms and conditions set forth in the notice and warning which accompanied this drawing is incorporated herein and made part hereof and is found on Cardinal Systems, Inc's website at www.CardinalSystemsInc.com



CardinalSystemsInc.com